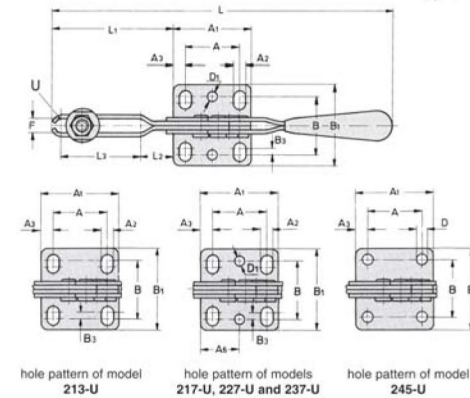
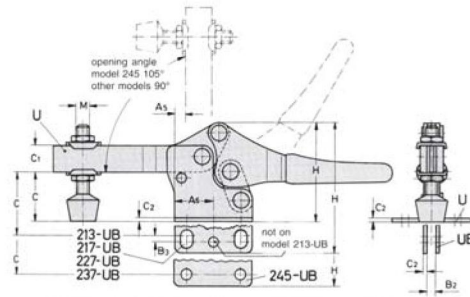
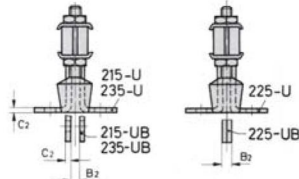
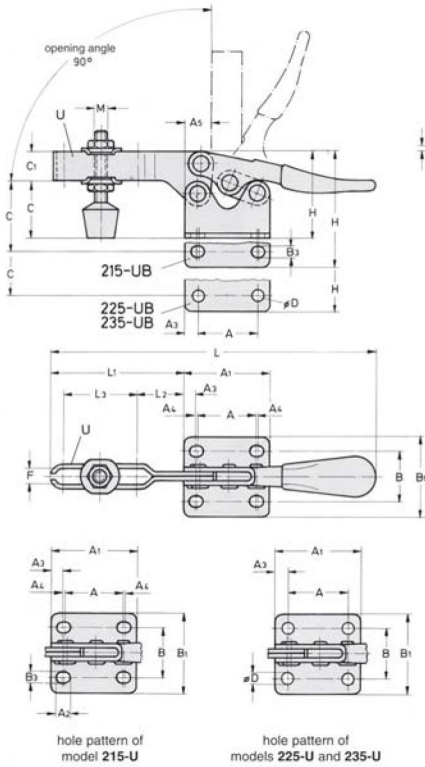


# HOLD DOWN ACTION TOGGLE CLAMPS - HORIZONTAL HANDLE

Low silhouette series requiring minimum overhead clearance. All models come with bonded neoprene tipped spindle, lock nuts and flanged washers or bolt retainers.

## Series 205, 215, 225, 235

## Series 213, 217, 227, 237, 245



All dimensions in mm

MODEL NO.	A	A1	A2	A3	A4	A5	A6	B	B1	B2	B3	C	C1	C2	ØD	ØD1	F	H	L	L1	L2	L3	M	HOLDING CAPACITY kg	WEIGHT kg
205-U	11.2	24	-	-	2.4	-	-	15.6	24	3	4.3	8	6.4	1.5	-	-	4.5	17	68	19	-	9.5	M4	25	0.03
205-UB	11.2	24	-	-	2.4	-	-	-	-	3	4.3	8	6.4	3	-	-	4.5	17	68	19	-	9.5	M4	25	0.03
205-UR	11.2	24	-	-	2.4	-	-	9.5	13.5	1.5	4.3	8	6.4	3	-	-	4.5	17	68	19	-	9.5	M4	25	0.03
205-UL	11.2	24	-	-	2.4	-	-	9.5	13.5	1.5	4.3	8	6.4	3	-	-	4.5	17	68	19	-	9.5	M4	25	0.03
205-USS	11.2	24	-	-	2.4	-	-	15.6	24	3	4.3	8	6.4	1.5	-	-	4.5	17	68	19	-	9.5	M4	25	0.03
205-S	11.2	24	-	-	2.4	-	-	15.6	24	3	4.3	9.5	3	1.5	-	-	-	17	71	21	-	-	M4	25	0.03
205-SB	11.2	24	-	-	2.4	-	-	-	-	3	4.3	9.5	3	3	-	-	-	17	71	21	-	-	M4	25	0.03
205-SR	11.2	24	-	-	2.4	-	-	9.5	13.5	1.5	4.3	9.5	3	3	-	-	-	17	71	21	-	-	M4	25	0.03
205-SL	11.2	24	-	-	2.4	-	-	9.5	13.5	1.5	4.3	9.5	3	3	-	-	-	17	71	21	-	-	M4	25	0.03
213-U	13.5	25.4	4.4	6	-	4.7	-	17.6	27	-	0.8	18.5	9.5	1.9	-	-	5.6	35.5	105	35.5	10	21.5	M5	70	0.07
213-UB	13.5	25.4	4.4	6	-	4.7	-	-	-	3.8	0.8	21.2	9.5	1.9	-	-	5.6	44	105	35.5	10	21.5	M5	70	0.07
213-USS	13.5	25.4	4.4	6	-	4.7	-	15.6	24	3	4.3	8	6.4	1.5	-	-	4.5	17	68	19	-	9.5	M4	70	0.07
215-U	25.5	37	5.9	5	0.8	11	-	22	35	4	5.1	25	13	2	-	-	7	38	141	57	20	32	M6	90	0.11
215-UB	25.5	37	5.9	5	0.8	11	-	-	-	4	5.1	30	13	2	-	-	7	50	141	57	20	32	M6	90	0.11
215-S	25.5	37	5.9	5	0.8	11	-	22	35	4	5.1	25	13	2	-	-	-	38	141	57	-	-	-	90	0.11
215-SB	25.5	37	5.9	5	0.8	11	-	-	-	4	5.1	30	13	2	-	-	-	50	141	27	-	-	-	90	0.11
217-U	26	37.4	5.5	5.7	-	6	18.5	28	38.6	-	3	24	13	2.5	-	4.8	6.4	49	164	58	15	38	M6	90	0.08
217-UB	26	37.4	5.5	5.7	-	6	18.5	-	-	5	3	30	13	2.5	-	4.8	6.4	63	164	58	15	38	M6	90	0.18
217-USS	26	37.4	5.5	5.7	-	6	18.5	28	38.6	-	3	24	13	2.5	-	4.8	6.4	49	164	58	15	38	M6	90	0.18
225-U	25.4	38	-	6.5	-	13	-	22.2	35	-	-	35	13	3.2	6.5	-	9	48	171	69	26	36	M8	220	0.26
225-UB	25.4	38	-	6.5	-	13	-	-	-	-	-	35	13	3.2	6.5	-	9	48	171	69	26	36	M8	220	0.26
225-USS	25.4	38	-	6.5	-	13	-	22.2	35	-	-	35	13	3.2	6.5	-	9	48	171	69	26	36	M8	220	0.26
227-U	26	40	6.6	7	-	1	20	31	43.6	-	2.5	34	14	3	-	4.8	8.4	62	188	66	21	38	M8	220	0.30
227-UB	26	40	6.6	7	-	1	20	-	-	6	2.5	38	14	3	-	4.8	8.4	75	188	66	21	38	M8	220	0.30
227-USS	26	40	6.6	7	-	1	20	31	43.6	-	2.5	34	14	3	-	4.8	8.4	62	188	66	21	38	M8	220	0.30
235-U	41.2	57	-	8	-	17	-	41	57	8	-	45	19	4	8.1	-	10.5	64	264	103	35	60	M10	340	0.66
235-UB	41.2	57	-	8	-	17	-	-	-	8	-	59	19	4	8.1	-	10.5	86	264	103	35	60	M10	340	0.66
235-USS	41.2	57	-	8	-	17	-	41	57	8	-	45	19	4	8.1	-	10.5	64	264	103	35	60	M10	340	0.66
237-U	41	57	8.8	8	-	10	28.5	43	58	-	2	44.5	19	4	-	5.8	10.5	81	270	103	24	70	M10	340	0.75
237-UB	41	57	8.8	8	-	10	28.5	-	-	8	2	53.5	19	4	-	5.8	10.5	99	270	103	24	70	M10	340	0.75
237-US	41	57	8.8	8	-	10	28.5	43	58	-	2	44.5	19	4	-	5.8	10.5	81	270	103	24	70	M10	340	0.75
245-U	41.5	67	-	12.5	-	-	-	41.5	67	-	-	57	25	5	8.5	-	13.5	108	312	125	36	77	M12	450	1.4
245-UB	41.5	67	-	12.5	-	-	-	-	-	9.5	-	65	25	5	8.5	-	13.5	128	312	125	36	77	M12	450	1.4